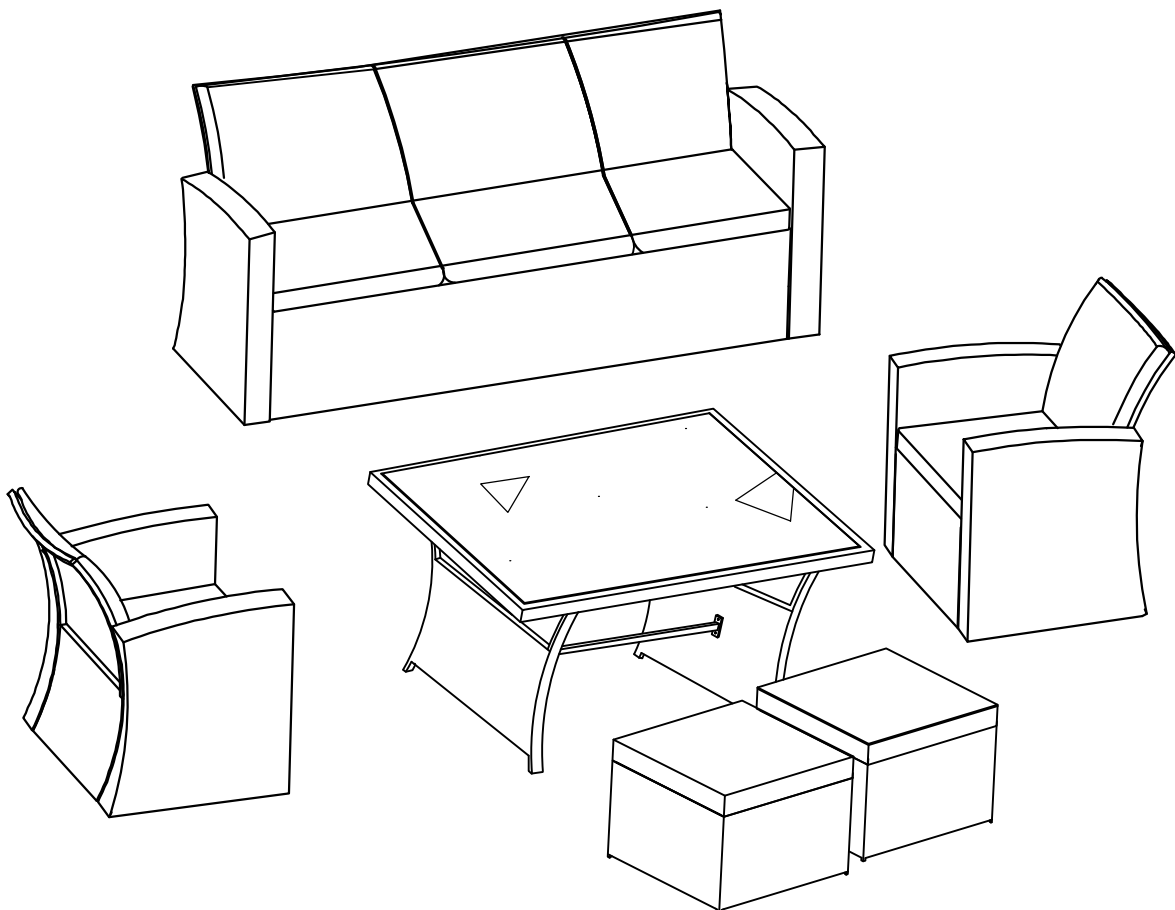


## Assembly Instructions

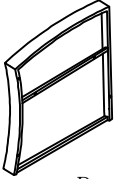
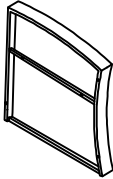
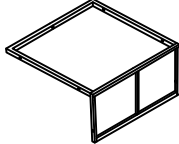
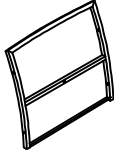
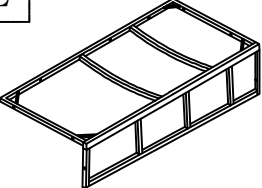
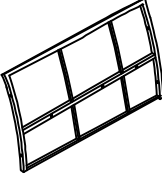
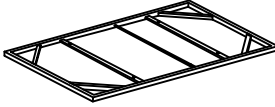
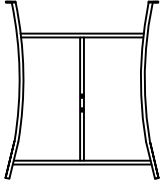

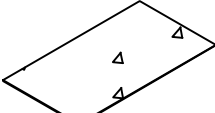
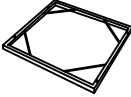

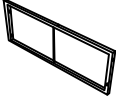







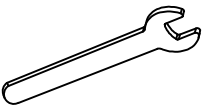
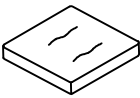
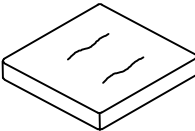

**ATTENTION:**

1. Please check the manual carefully and make sure you have received all the parts.
2. If there is any missing, please let us know the letter of the parts you need.
3. If there is any damage, please send clear photos to us, we will check and offer you best solution soon.

### Six piece sofa set



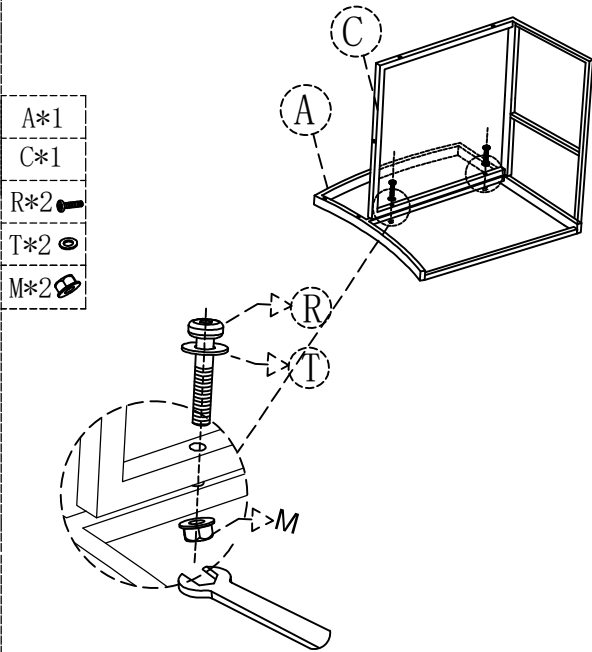
# Part List

<p>A</p>  <p>Left arm Panel</p>	<p>B</p>  <p>Right arm Panel</p>	<p>C</p>  <p>Table frame</p>	<p>D</p>  <p>Table Leg piece</p>
3PCS	3PCS	2PCS	2PCS
<p>E</p>  <p>1PC</p>	<p>F</p>  <p>1PC</p>	<p>G</p>  <p>1PC</p>	<p>H</p>  <p>2PCS</p>
1PC	1PC	1PC	2PCS
<p>I</p>  <p>Connecting rod</p>	<p>J</p>  <p>Table glass</p>	<p>O</p>  <p>Foot stool Panel</p>	<p>P</p>  <p>Foot stool long side panel</p>
1PC	1PC	2PCS	4PCS
<p>Q</p>  <p>Foot stool short side panel</p>	<p>K</p>  <p>M6*15mm</p>	<p>R</p>  <p>M6*55mm</p>	<p>S</p>  <p>M6*35mm</p>
4PCS	8PCS	17PCS	36PCS
<p>N</p>  <p>M6*65mm</p>	<p>T</p>  <p>M6</p>	<p>M</p>  <p>M6mm</p>	<p>U</p>  <p>M6</p>
6PCS	67PCS	17PCS	1PC
<p>V</p>  <p>1PC</p>	<p>Y</p>  <p>Stool cushioned</p>	<p>W</p>  <p>Seat cushioned</p>	<p>X</p>  <p>Back cushioned</p>
1PC	2PCS	5PCS	5PCS

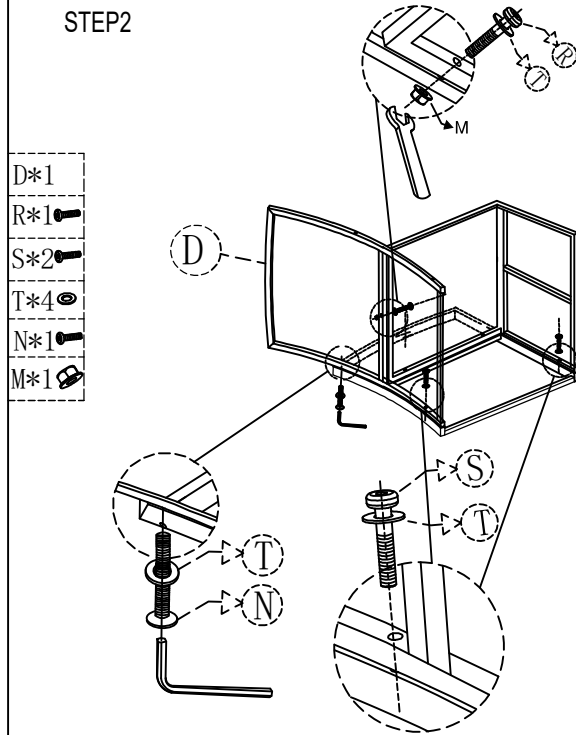
# Single person sofa

## Assembly Steps

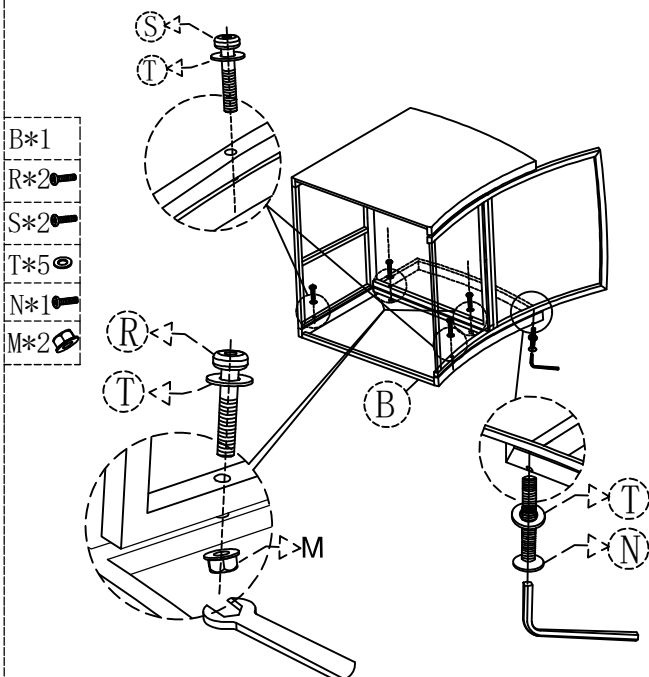
STEP1



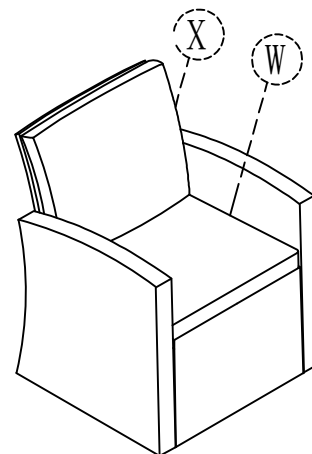
STEP2



STEP3



STEP4

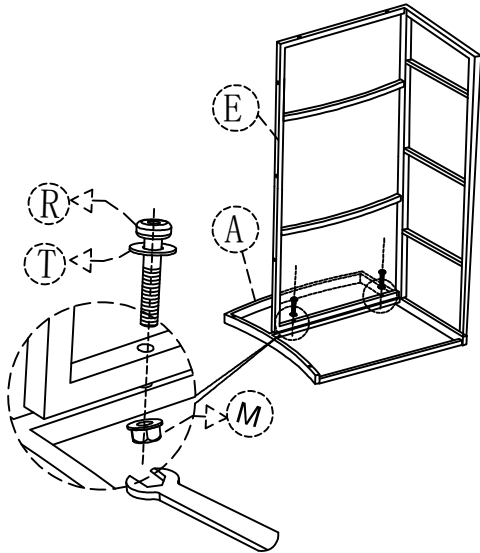


# Three Sofa seat

## Assembly Steps

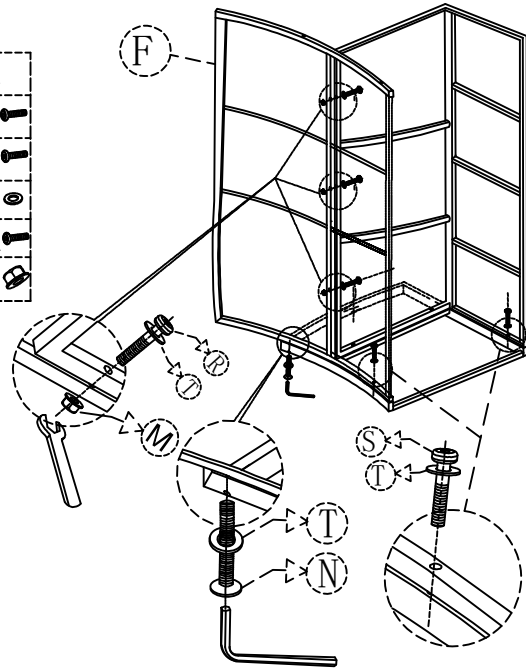
STEP1

- A\*1
- E\*1
- R\*2
- T\*2
- M\*2



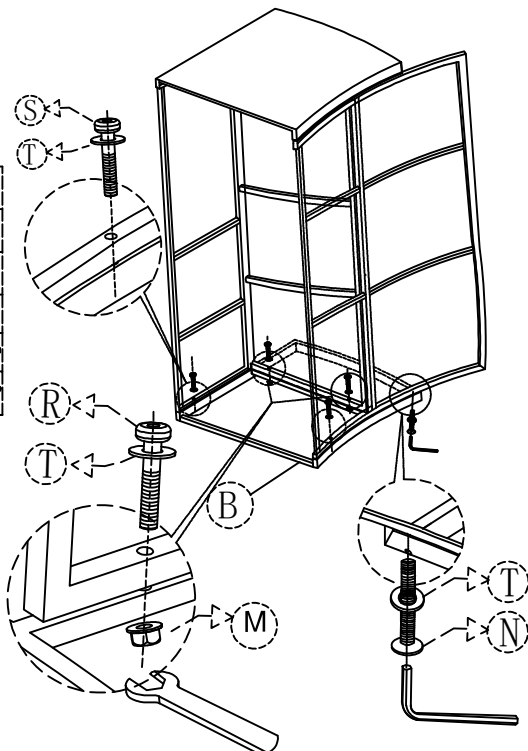
STEP2

- F\*1
- R\*3
- S\*2
- T\*6
- N\*1
- M\*3

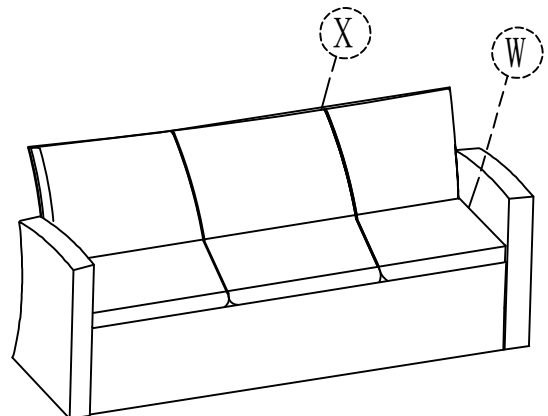


STEP3

- B\*1
- R\*2
- S\*2
- T\*5
- N\*1
- M\*2



STEP4

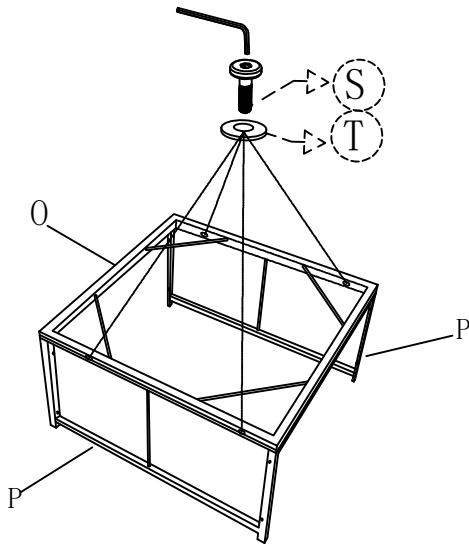


# Foot stool

## Assembly Steps

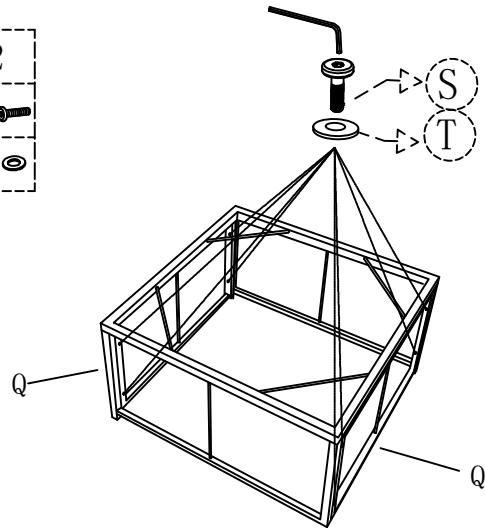
STEP1

- 0\*1
- P\*2
- S\*4
- T\*4

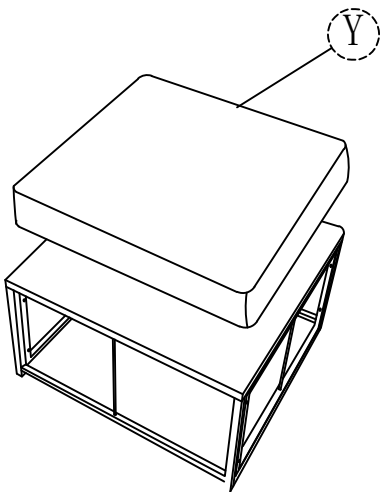


STEP2

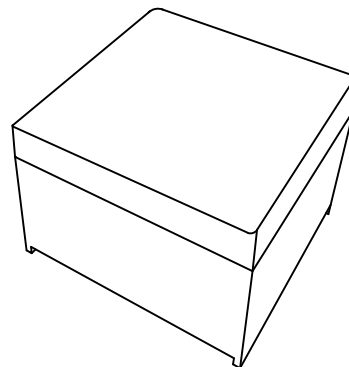
- Q\*2
- S\*8
- T\*8



STEP3



STEP4

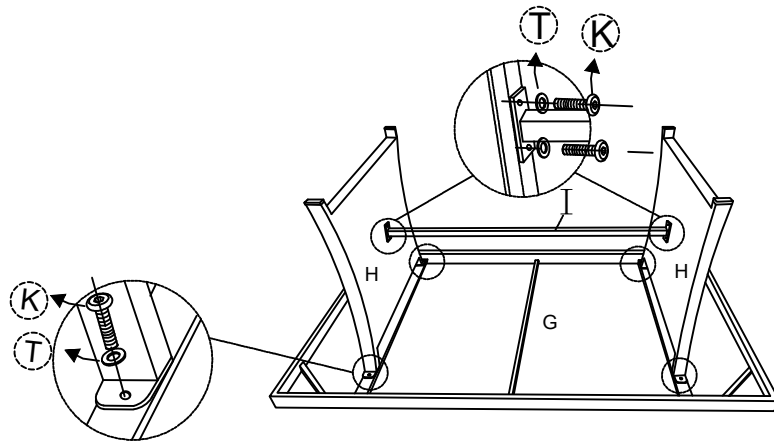


# Square table

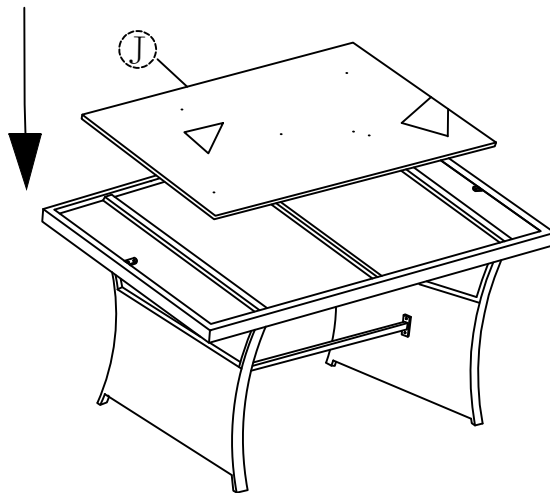
## Assembly Steps

STEP1

G*1
H*2
I*1
K*8
T*8



STEP2



STEP3

